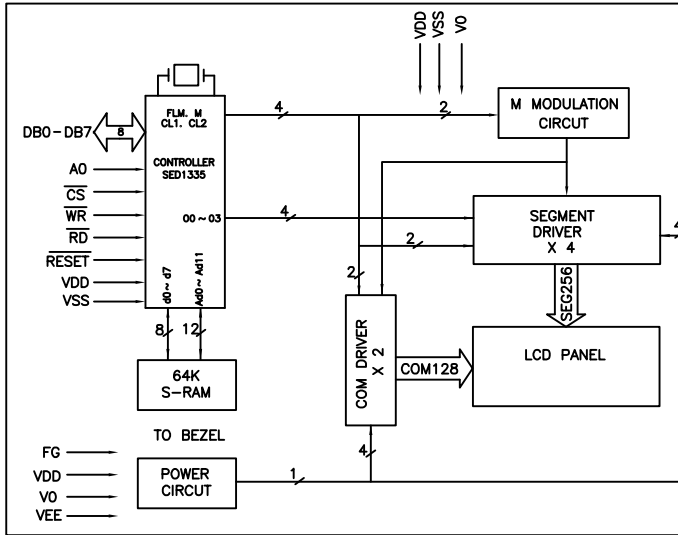


CONNECTOR PINOUT			
PIN#	SYMBOL	LEVEL	FUNCTION
1	FG	0V	FRAME GND
2	V <sub>ss</sub>	0V	GND
3	V <sub>dd</sub>	5V	POWER SUPPLY VOLT FOR LOGIC & LCD(+)
4	V <sub>o</sub>	-11.4V(TYP.)	OPERATING VOLT FOR LCD (VARIABLE)
5	/RES	H/L	RESET (LOW)
6	/RD	H/L	READ
7	/WR	H/L	WRITE
8	/CS	H/L	CHIP SELECT
9	A0	H/L	DATA TYPE SELECTION
10	DB0	H/L	8-BIT DATA BUS
11	DB1		
12	DB2		
13	DB3		
14	DB4		
15	DB5		
16	DB6		
17	DB7		



REGULAR FMG25121-00