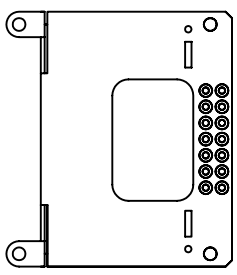
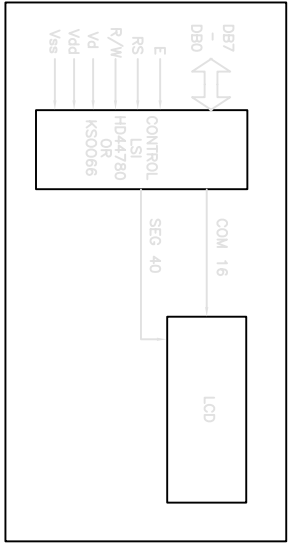
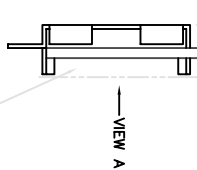
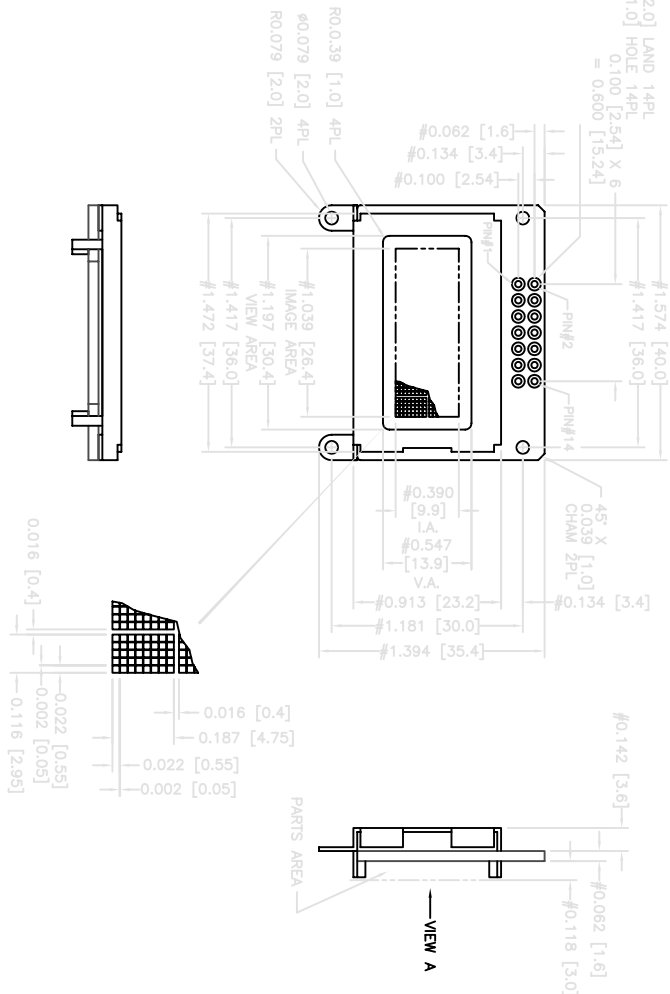
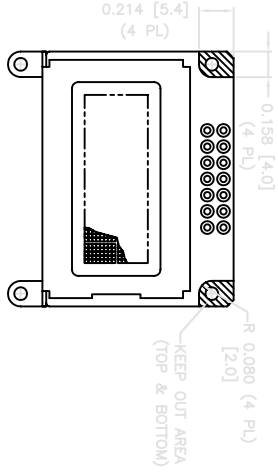


REV	DESCRIPTION:	BY	DATE
-	RELEASED	W.S.	8/29/97
A	ECO#2414	S.L.	12/16/97
B	ECO#2734	S.L.	6/7/99
C	OECR#1472	HXH	07/16/02



PIN#	SYMBOL	CONNECTOR LEVEL	PINOUT FUNCTIONS
1	V <sub>ss</sub>	H/L	GROUND
2	V <sub>cc</sub>	H/L	POWER SUPPLY
3	V <sub>cc</sub>	H/L	+5V for LED DRIVE
4	RS	H/L	REGISTER SELECT SIGNAL
5	R/W	H/L	DATA INPUT INSTRUCTION INPUT
6	E	H/H = L	H-READ L-WRITE ENABLE SIGNAL
7	DB0	H/L	DATA BUS LINES
8	DB1	H/L	
9	DB2	H/L	
10	DB3	H/L	
11	DB4	H/L	
12	DB5	H/L	
13	DB6	H/L	
14	DB7	H/L	

NOTES:  
 1. ALL DIMENSIONS IN INCHES [MM]  
 2. TOLERANCES UNLESS OTHERWISE SPECIFIED ±0.008 [0.2]  
 3. REFER TO MODULE PRODUCT SPECIFICATION FOR SPECIFIC CONFIGURATIONS AND BILL MATERIALS

**OCULAR**

ENGR MANAGER: DATE: 8/29/97  
 DWN BY: W.S.  
 DRAWING TITLE: OM0821 MODULE  
 DRAWING No.: 0821MOD  
 SCALE: SHEET: OF REV: C