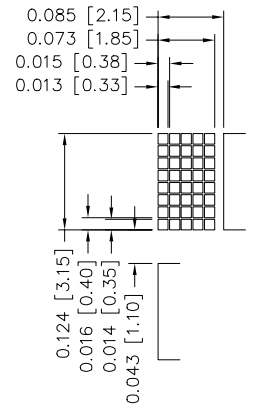
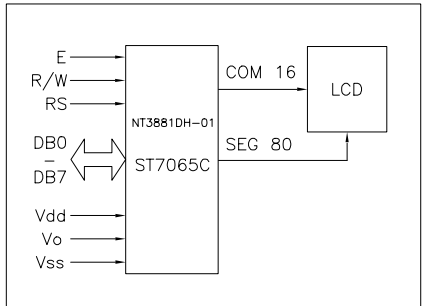


REV	DESCRIPTION:	BY	DATE
-	RELEASE	LPX	06/06/01
A	OECR#0809	LGJ	06/27/01
B	OECR#0998	LGJ	12/04/01
C	OECR#1197	HXH	04/04/02
D	OECR#1243	LGJ	04/23/02
E	OECR#1360	HXH	06/10/02
F	OECR#1369	HXH	06/13/02
G	OECR#1409	HXH	07/03/02
H	OECR#1441	HXH	07/10/02
I	OECR#1617	HXH	09/16/02
J	OECR#1680	LGJ	10/24/02

BILL OF MATERIAL			
ITEM	PART NUMBER	QTY	DESCRIPTION
1	16213LCD	1	LC DISPLAY
2	16213ASM	1	PCB ASSEMBLY
3	16213BZL	1	BEZEL
4	16213LP	1	LIGHT PIPE
5	WP008A-YG	2	LED
6	16213ZBR	2	ZEBRA CONNECTOR
7	16213CBL	1	I/O ZIF CABLE
8	16213TP1	2	JIAN CHENG A201
9	16213DIF	1	DIFFUSER
10	16213TP3	2	JIAN CHENG A201



CONNECTOR PINOUT			
PIN #	SYMBOL	FUNCTION	
1	Vss	0V	POWER SUPPLY
2	Vdd	+5V	
3	Vo		
4	RS	H: DATA INPUT L: INSTRUCTION INPUT	
5	R/W	H: READ L: WRITE	
6	E	ENABLE SIGNAL	
7	DB0	DATA BASE LINES	
8	DB1		
9	DB2		
10	DB3		
11	DB4		
12	DB5		
13	DB6		
14	DB7		
15	+	LED(+)	BACKLIGHT
16	-	LED(-)	

NOTES: UNLESS OTHERWISE SPECIFIED

- DIMENSIONS ARE INCHES [MILLIMETERS].
- GLASS THICKNESS: 0.028 [0.7], BACK 0.028 [0.7].
- LCD TYPE: YELLOW-GREEN STN
- POLARIZER: POSITIVE, TRANSFLECTIVE
- VIEWING ANGLE: 6:00.
- DRIVE METHOD: 1/16 MUX, 1/5 BIAS.
- DRIVE VOLTAGE: 5V
- OPERATING TEMPERATURE: -20°C TO +70°
- STORAGE TEMPERATURE: -30°C TO +80°
- OPERATING FREQUENCY: 50Hz TO 100Hz.
- SIDE-LIT YELLOW-GREEN BACKLIGHT.
- I/O CONNECTION: ZIF TYPE FLEX CABLE, 16 WIRE, 1mm PITCH.

UNLESS OTHERWISE NOTED:		ENGR MANAGER:	DATE:
UNITS	DECIMAL	DWN BY: JDN	DATE: 4/16/01
INCHES [mm]	.X [X.] ±0.02 [0.5] .XX [.X] ±0.008 [0.20] .XXX [.XX] ±0.005 [0.13]	DRAWING TITLE: OM16213-LSW	
ANGLES	PLATED THRU HOLES +0.003 [0.08] NON-PLATED THRU HOLES -0.001 [0.03]	DRAWING No.: 16213LSW	
THIRD ANGLE PROJECTION	±0.5°	SCALE :	REV: J
		SHEET: 1 OF 1	