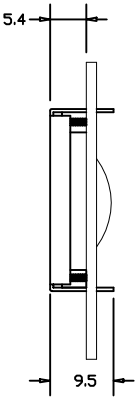
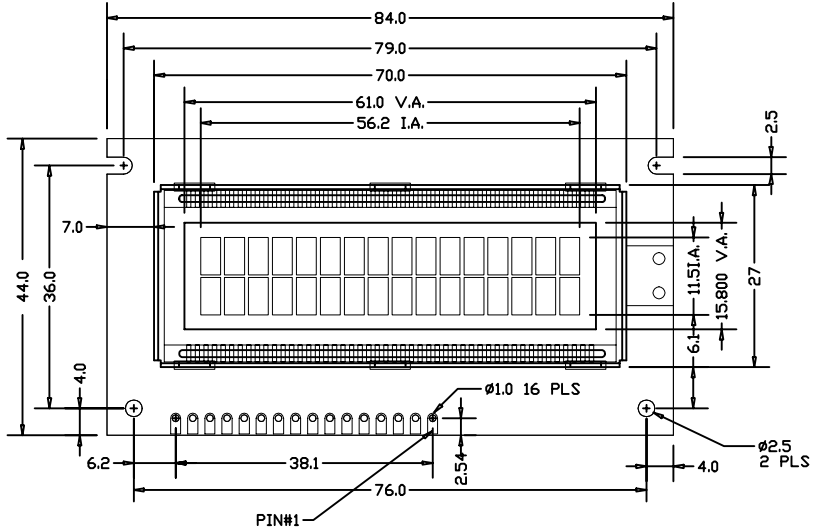
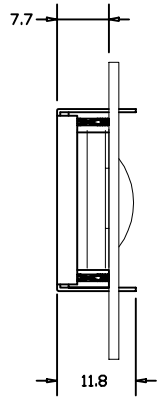


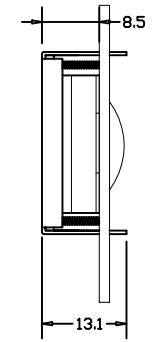
C	ECD# 1934	S.L.	6-25-96	REV	DESCRIPTION:	BY	DATE
D	ECD# 2535	W.S.	6-25-98	-	RELEASED	S.L.	4-12-94
E	ECD# 2779	W.S.	8/03/99	A	ECD# 1069	S.L.	9-6-94
				B	ECD# 1077	S.L.	9-16-94



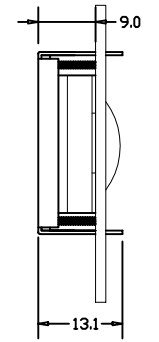
NON-BACKLIGHT



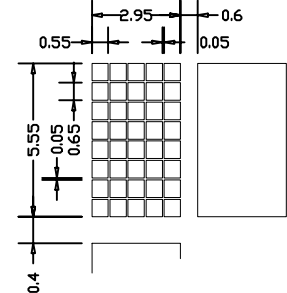
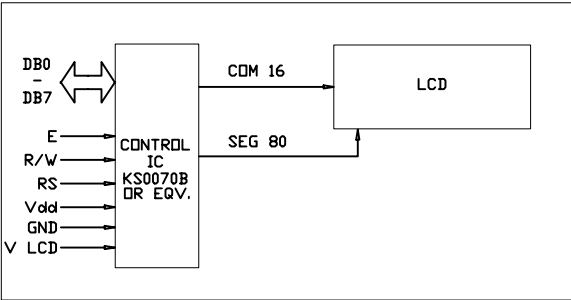
SPECIAL LOW PROFILE W/BACKLIGHT



STANDARD BACKLIGHT



SPECIAL BACKLIGHT (DM1621-XXX-01)



CONNECTOR		PINOUT	
PIN#	SYMBOL	FUNCTIONS	
1	+	LED	ARRAY
2	-	LED	
3	GND	0V	POWER SUPPLY
4	V <sub>+</sub>	+5V	
5	V <sub>s</sub>		
6	RS	H: DATA INPUT L: INSTRUCTION INPUT	
7	R/W	H: READ L: WRITE	
8	E	ENABLE SIGNAL	DATA BUS LINES
9	DB0		
10	DB1		
11	DB2		
12	DB3		
13	DB4		
14	DB5		
15	DB6		
16	DB7		

NOTES:  
 1. ALL DIMENSIONS IN MM  
 2. TOLERANCES UNLESS OTHERWISE SPECIFIED ±0.2MM  
 3. REFER TO MODULE REDUCT SPECIFICATION FOR SPECIFIC CONFIGURATIONS AND BILL MATERIALS

<p>THIS DOCUMENT IS CONFIDENTIAL PROPRIETARY INFORMATION OF OCULAR CORPORATION AND SHALL NOT BE DISCLOSED OR COPIED OR USED FOR ANY PURPOSE OTHER THAN FOR WHICH IT IS SPECIFICALLY FURNISHED WITHOUT THE PRIOR WRITTEN CONSENT OF OCULAR CORPORATION.</p>	UNLESS OTHERWISE NOTED:		ENGR MANAGER:		DATE:	
	UNITS	DECIMAL	DWN BY:	S.L.	DATE:	4-12-94
	mm	X. [X.X] ±0.5 [0.02]	DRAWING TITLE: DM1621 STANDARD MODULE			
	[INCH]	X.X [X.XX] ±0.20 [0.008]	DRAWING No.: 1621MOD			
ANGLES	PLATED THRU HOLES +0.08 [0.003]	DRAWING No.:		1621MOD	REV: E	
	NON-PLATED THRU HOLES +0.08 [0.003]	SCALE :		SHEET: 1 OF 1		
		THIRD ANGLE PROJECTION				