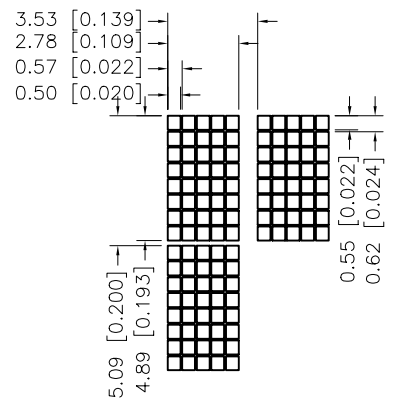
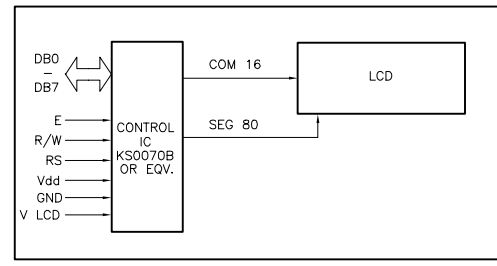
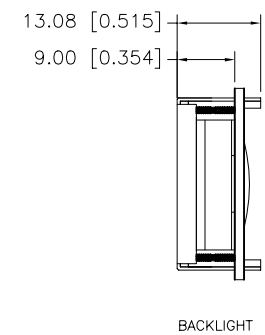
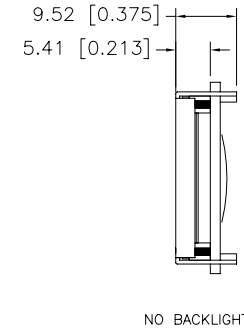
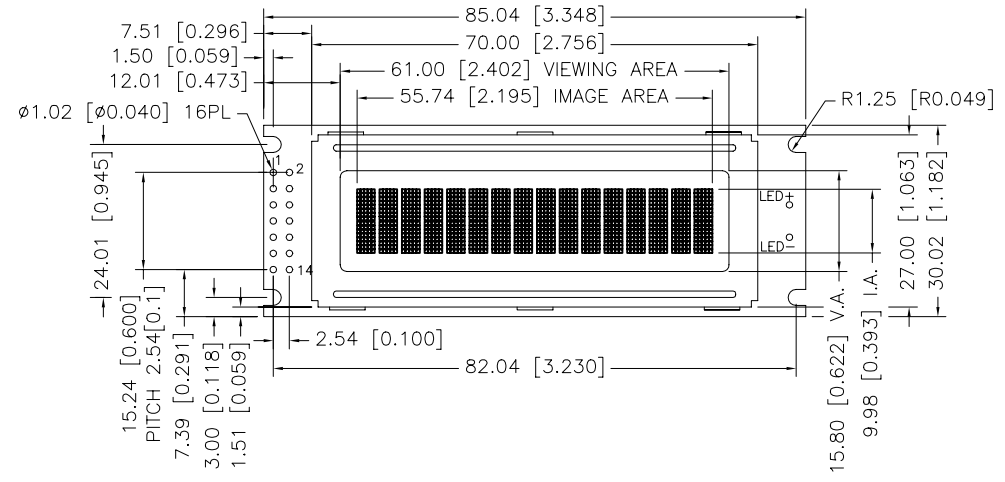


REV:	DESCRIPTION:	BY	DATE
-	RELEASED	S.L.	2/24/97
A	ECO#2149	S.L.	3/4/97
B	ECO#2169	S.L.	3/21/97
C	ECO#2531	S.L.	6/23/98



CONNECTOR		PINOUT
PIN#	SYMBOL	FUNCTIONS
1	DB7	DATA BUS LINES
2	DB6	
3	DB5	
4	DB4	
5	DB3	
6	DB2	
7	DB1	
8	DB0	
9	E	ENABLE SIGNAL
10	R/W	H:READ
		L:WRITE
11	RS	H:DATA INPUT
		L:INSTRUCTION INPUT
12	V _e	POWER SUPPLY
13	GND 0V	
14	V ₀ +5V	

- NOTES:
1. ALL DIMENSIONS IN MM [INCHES]
 2. TOLERANCES UNLESS OTHERWISE SPECIFIED ±0.2MM [0.008"]
 3. REFER TO MODULE REODUCT SPECIFICATION FOR SPECIFIC CONFIGURATIONS AND BILL MATERIALS

THIS DOCUMENT IS CONFIDENTIAL PROPRIETARY INFORMATION OF OCULAR CORPORATION AND SHALL NOT BE DISCLOSED OR COPIED OR USED FOR ANY PURPOSE OTHER THAN FOR WHICH IT IS SPECIFICALLY FURNISHED WITHOUT THE PRIOR WRITTEN CONSENT OF OCULAR CORPORATION.

UNLESS OTHERWISE NOTED:		ENGR MANAGER:	DATE:
UNITS	DECIMAL	DWN BY:	S.LIN DATE: 2/24/97
mm [INCH]	X. [X.X] ±0.5 [0.02] X.X [X.XX] ±0.20 [0.008] X.XX [X.XXX] ±0.13 [0.005]	DRAWING TITLE: OM1626 MODULE	
ANGLES	PLATED THRU HOLES +0.08 [0.003] -0.03 [0.001] NON-PLATED THRU HOLES +0.08 [0.003] -0.03 [0.001]	DRAWING No.: 1626MOD	
THIRD ANGLE PROJECTION	±0.5°	REV: C	
SCALE 1 : 1		SHEET: 1 OF 1	