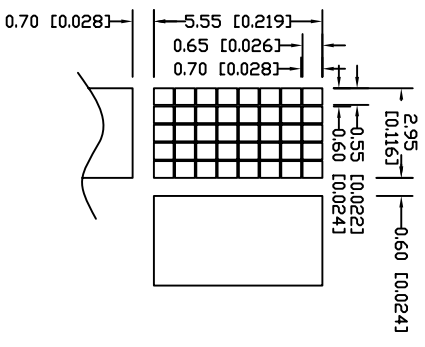
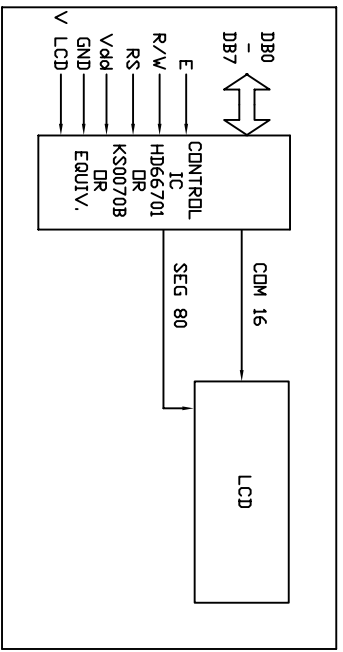
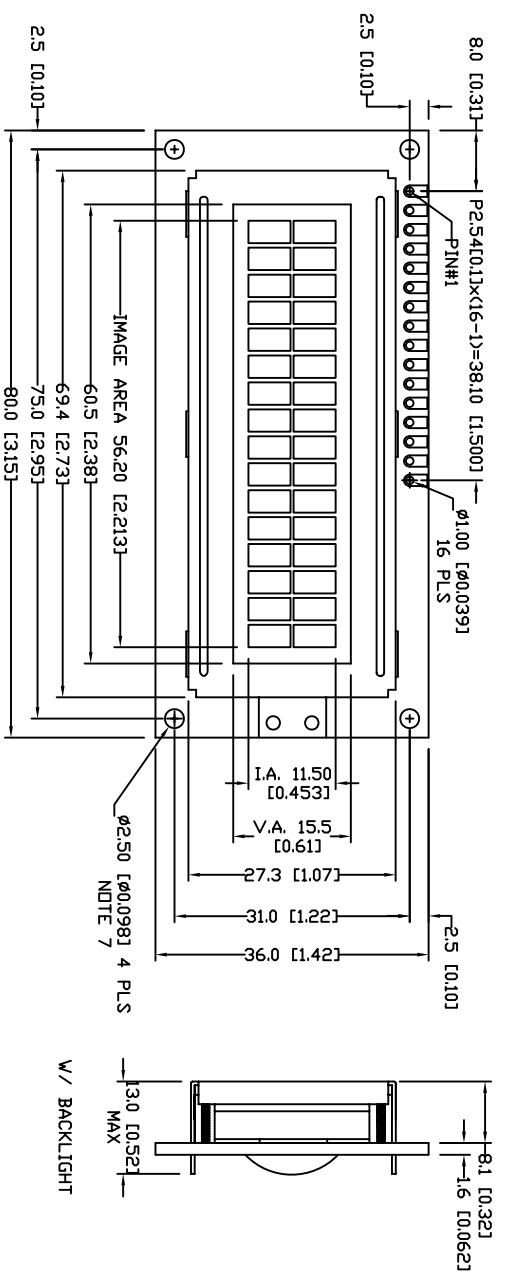


REV#	DESCRIPTION:	BY	DATE
-	RELEASED	S.L.	6/26/98

PIN#	SYMBOL	FUNCTIONS	PINOUT
1	V _{ss}	0V	POWER SUPPLY
2	V _{cc}	+5V	
3	V _{lc}	LED CONTRAST	LCD CONTRAST
4	RS		
5	R/W		LCD DATA INPUT
6	E	ENABLE SIGNAL	
7	DB0		DATA BUS LINES
8	DB1		
9	DB2		
10	DB3		
11	DB4		
12	DB5		
13	DB6		
14	DB7		
15	-		LED BACKLIGHT
16	+		LED BACKLIGHT



- NOTES:
1. ALL DIMENSIONS IN MM
 2. TOLERANCES UNLESS OTHERWISE SPECIFIED ± 0.2 MM
 3. REFER TO MODULE PRODUCT SPECIFICATION FOR SPECIFIC CONFIGURATIONS AND BILL MATERIALS
 4. OPTIONAL PIN HEADER 1 X 16 IS AMP P/N 1-104426-4 DR EQUIVALENT.
 5. BEZEL TO BE BRIGHT NICKEL PLATED.
 6. BEZEL MOUNTING TABS TO CONTACT GROUNDED PADS ON BACK OF PCB.
 7. FOUR CORNER MOUNTING HOLES ARE PLATED THRU AND GROUNDED.

THIS DOCUMENT IS CONFIDENTIAL. PHOTOGRAPHY, REPRODUCTION OR ALTERATION OF ANY PART THEREOF IS PROHIBITED WITHOUT THE WRITTEN PERMISSION OF OCULAR CORPORATION.

UNLESS OTHERWISE NOTED:

UNITS	DECIMAL	ENGR MANAGER:	DATE:
MM	±0.5 [0.02]	DWN BY:	S.L.
[INCH]	±0.20 [0.008]	DRAWING TITLE:	DM1628 MODULE
ANGLES	±0.13 [0.005]	DRAWING NO.:	1628MOD
NON-PLATED THRU HOLES	±0.03 [0.001]	SCALE:	1 OF 1
THIRD ANGLE PROJECTION	±0.03 [0.001]	SHEET:	1 OF 1