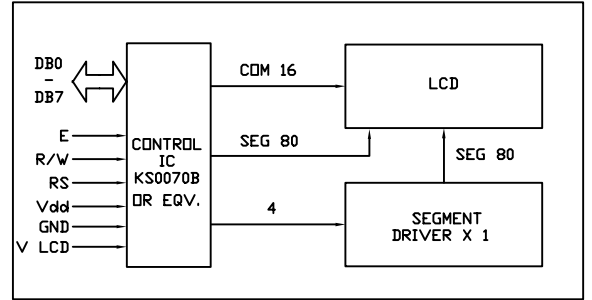
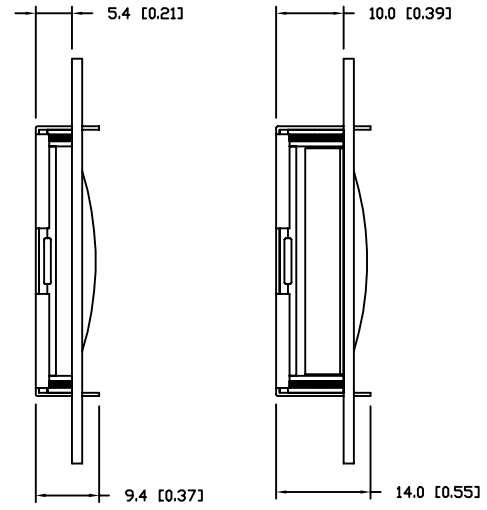
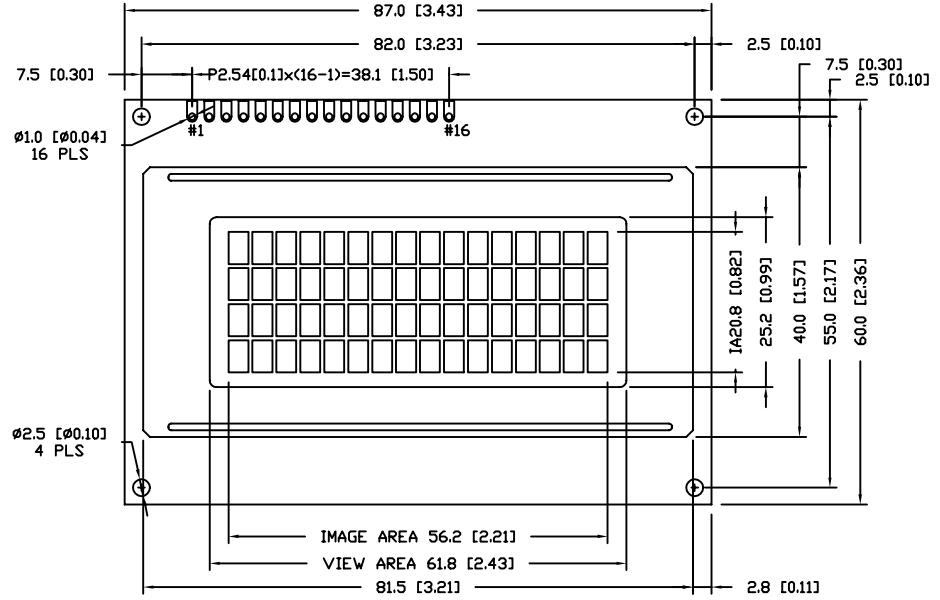
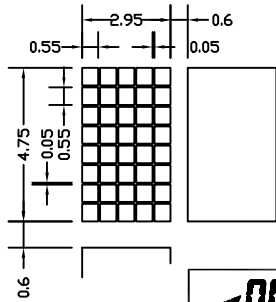


| REV | DESCRIPTION: | BY | DATE |
|-----|--------------|------|---------|
| - | RELEASED | E.C. | 5-31-94 |
| A | ECD#1072 | SL | 6-9-94 |
| B | PRELIMINARY | E.T. | 6-9-94 |



| CONNECTOR | | PINOUT | |
|-----------|-----------------|---------------------------------------|--------------|
| PIN# | SYMBOL | FUNCTIONS | |
| 1 | GND | 0V | POWER SUPPLY |
| 2 | V _{DD} | +5V | |
| 3 | V _S | | |
| 4 | RS | H: DATA INPUT L: INSTRUCTION INPUT | |
| 5 | R/W | H: READ L: WRITE | |
| 6 | E | ENABLE SIGNAL | |
| 7 | DB0 | DATA BUS LINES | |
| 8 | DB1 | | |
| 9 | DB2 | | |
| 10 | DB3 | | |
| 11 | DB4 | | |
| 12 | DB5 | | |
| 13 | DB6 | | |
| 14 | DB7 | | |
| 15 | + | LED | ARRAY |
| 16 | - | LED | |



NOTES:
 1. ALL DIMENSIONS IN MM
 2. TOLERANCES UNLESS OTHERWISE SPECIFIED ±0.2MM
 3. REFER TO MODULE PRODUCT SPECIFICATION FOR SPECIFIC CONFIGURATIONS AND BILL MATERIALS

THIS DOCUMENT IS CONFIDENTIAL PROPRIETARY INFORMATION OF OCULAR CORPORATION AND SHALL NOT BE DISCLOSED OR COPIED OR USED FOR ANY PURPOSE OTHER THAN FOR WHICH IT IS SPECIFICALLY FURNISHED WITHOUT THE PRIOR WRITTEN CONSENT OF OCULAR CORPORATION.

| UNLESS OTHERWISE NOTED: | | ENGR MANAGER: | DATE: |
|-------------------------|---|------------------------------|--------------------|
| UNITS | DECIMAL | DWN BY: | E.C. DATE: 5-31-94 |
| mm | X. [X.X] ±0.5 [0.02] | DRAWING TITLE: DM1641 MODULE | |
| [INCH] | X.X [X.XX] ±0.20 [0.008] | | |
| | X.XX [X.XXX] ±0.13 [0.005] | | |
| ANGLES | PLATED THRU HOLES +0.08 [0.003] -0.03 [0.001] | DRAWING No.: 1641MOD | |
| | NON-PLATED THRU HOLES +0.08 [0.003] -0.03 [0.001] | REV: A | |
| THIRD ANGLE PROJECTION | ±0.5° | SCALE : | SHEET: 1 OF 1 |