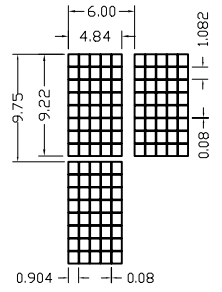
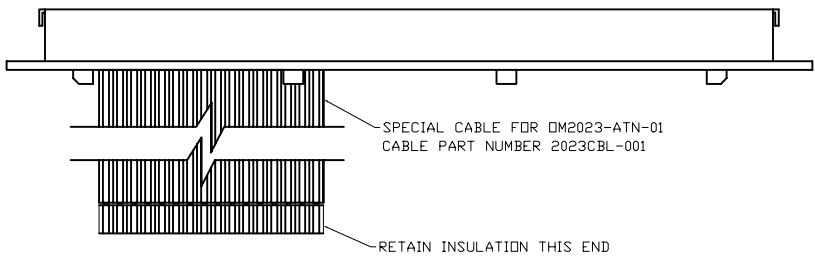
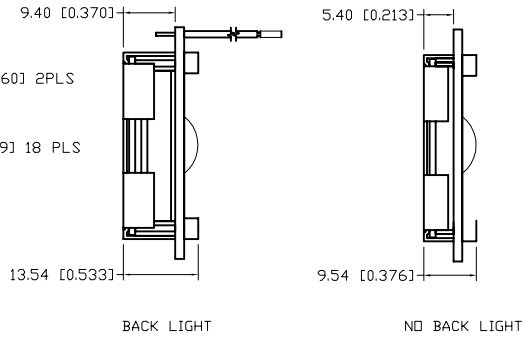
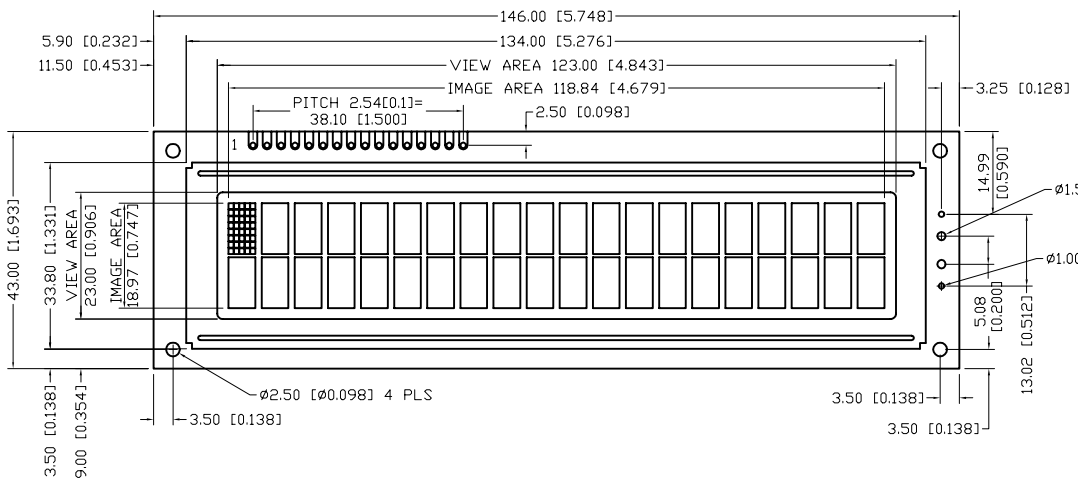
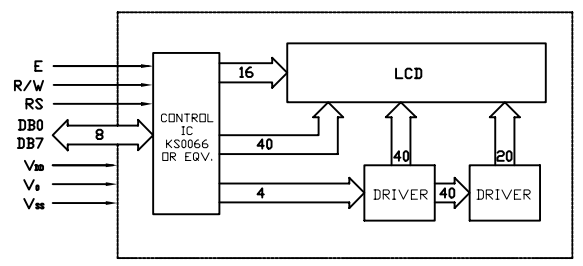


REV	DESCRIPTION:	BY	DATE
-	RELEASED	S.L.	3-29-95
A	ECD#1270	S.L.	6-16-95
B	ECD#1372	S.L.	6-29-95
C	ECD#1384	S.L.	7-7-95
D	DECR#1123	HXH	02/27/02



PIN#	SYMBOL	FUNCTIONS	PINOUT
1	GN	RV	POWER SUPPLY
2	V _b	SV	
3	V _s		DATA BUS LINES
4	RS	H: DATA INPUT L: INSTRUCTION INPUT	
5	R/W	H: READ L: WRITE	ENABLE SIGNAL
6	E		
7	DB0		DATA BUS LINES
8	DB1		
9	DB2		
10	DB3		
11	DB4		
12	DB5		
13	DB6		
14	DB7		
15	+	LED	ARRAY
16	-	LED	



- NOTES:
1. ALL DIMENSIONS IN MM
 2. TOLERANCES ±0.2MM UNLESS NOTED
 3. REFER TO MODULE PRODUCT SPECIFICATION FOR SPECIFIC CONFIGURATIONS AND BILL OF MATERIALS

<p>THIS DOCUMENT IS CONFIDENTIAL PROPRIETARY INFORMATION OF OCULAR CORPORATION AND SHALL NOT BE DISCLOSED OR COPIED OR USED FOR ANY PURPOSE OTHER THAN FOR WHICH IT IS SPECIFICALLY FURNISHED WITHOUT THE PRIOR WRITTEN CONSENT OF OCULAR CORPORATION.</p>	UNLESS OTHERWISE NOTED:		ENGR MANAGER:		DATE:	
	UNITS	DECIMAL	DWN BY:	S.LIN	DATE:	2-28-95
	mm	X. [X.X] ±0.5 [0.02]	DRAWING TITLE: DM2023 STANDARD MODULE			
	[INCH]	X.X [X.XX] ±0.20 [0.008]	DRAWING No.: 2023MOD			
		X.XX [X.XXX] ±0.13 [0.005]	REV: D			
ANGLES	PLATED THRU HOLES +0.08 [0.003] -0.03 [0.001]	SCALE :				
	NON-PLATED THRU HOLES +0.08 [0.003] -0.03 [0.001]	SHEET: 1 OF 1				