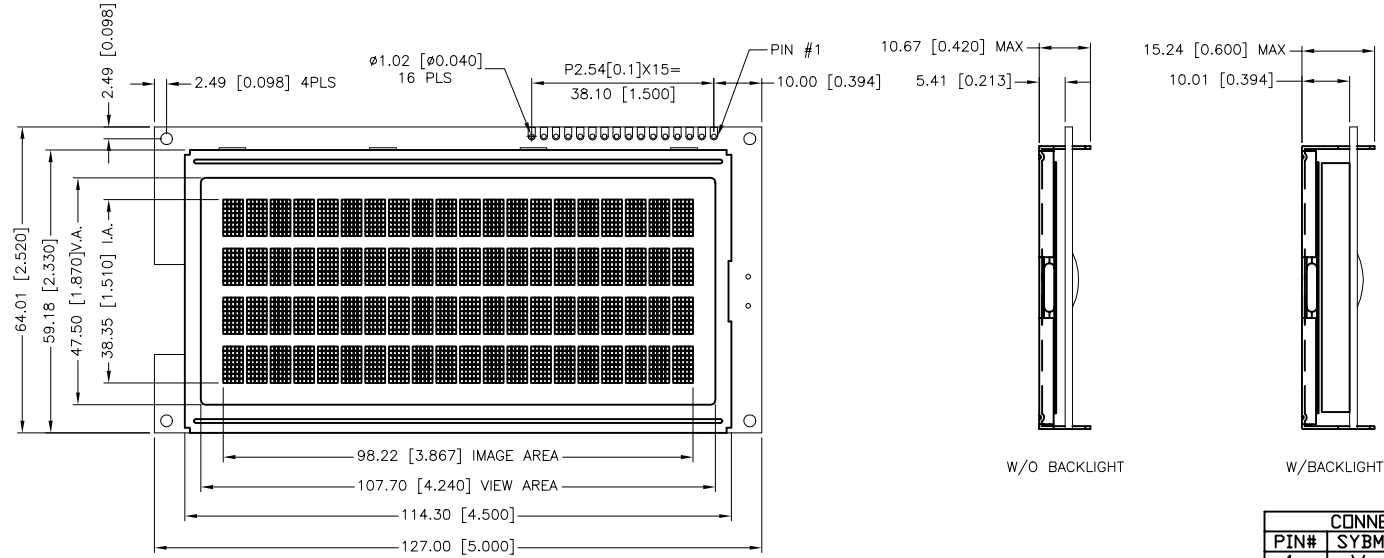
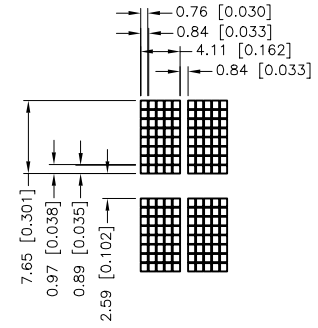
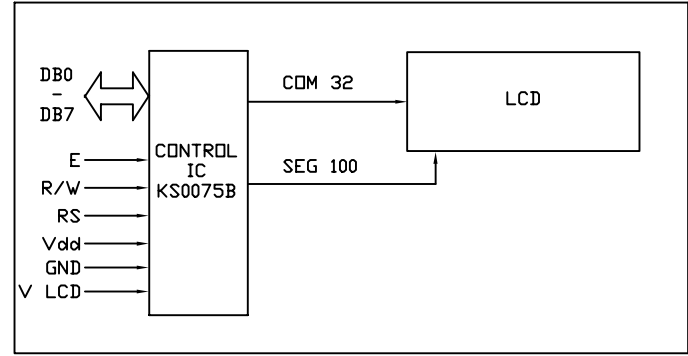


REV	DESCRIPTION:	BY	DATE
-	RELEASED	WS	3/11/98
A	ECD#3130	SL	5/1/03



W/O BACKLIGHT

W/BACKLIGHT



CONNECTOR		PINOUT	
PIN#	SYMBOL	FUNCTIONS	
1	V <sub>SS</sub>	0V	POWER SUPPLY
2	V <sub>DD</sub>	+5V	
3	V <sub>CON</sub>	0-5V	CONTRAST ADJ
4	RS	H: DATA INPUT L: INSTRUCTION INPUT	
5	R/W	H: READ L: WRITE	
6	E	ENABLE SIGNAL	
7	DB0	DATA BUS LINES	
8	DB1		
9	DB2		
10	DB3		
11	DB4		
12	DB5		
13	DB6		
14	DB7		
15	+	LED POWER +	LED ARRAY
16	-	0V	

- NOTES:
- ALL DIMENSIONS IN MM [INCHES].
  - TOLERANCE UNLESS OTHERWISE SPECIFIED  $\pm 0.02$  mm [ $\pm 0.008$  in.]
  - REFER TO MODULE PRODUCT SPECIFICATION FOR SPECIFIC CONFIGURATIONS AND BILL OF MATERIALS.

THIS DOCUMENT IS CONFIDENTIAL PROPRIETARY INFORMATION OF OCULAR CORPORATION AND SHALL NOT BE DISCLOSED OR COPIED OR USED FOR ANY PURPOSE OTHER THAN FOR WHICH IT IS SPECIFICALLY FURNISHED WITHOUT THE PRIOR WRITTEN CONSENT OF OCULAR CORPORATION.

UNLESS OTHERWISE NOTED:		ENGR MANAGER:	DATE:
UNITS	DECIMAL	DWN BY:	WS
mm [INCH]	X. [X.X ] $\pm 0.5$ [0.02] X.X [X.XX ] $\pm 0.20$ [0.008] X.XX [X.XXX ] $\pm 0.13$ [0.005]	DATE:	3/9/97
ANGLES	PLATED THRU HOLES +0.08 [0.003] NON-PLATED THRU HOLES -0.03 [0.001]	DRAWING TITLE:	DM2042 MODULE
	$\pm 0.5^\circ$	DRAWING No.:	2042MOD
		SCALE:	SHEET: 1 OF 1

REV: A