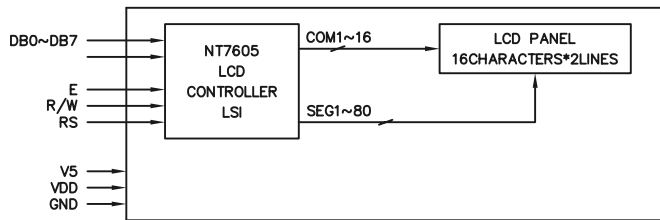


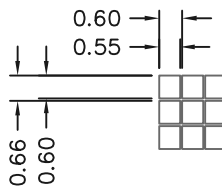
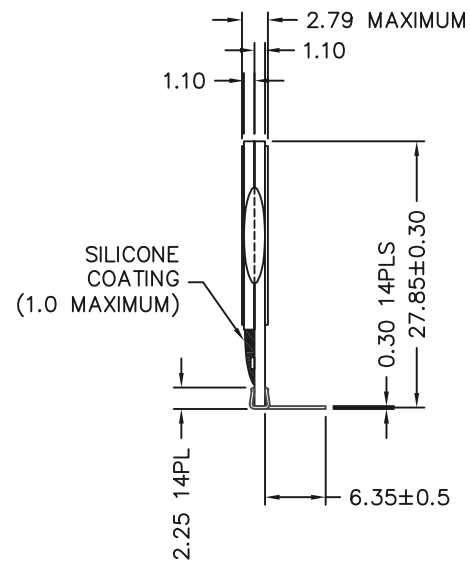
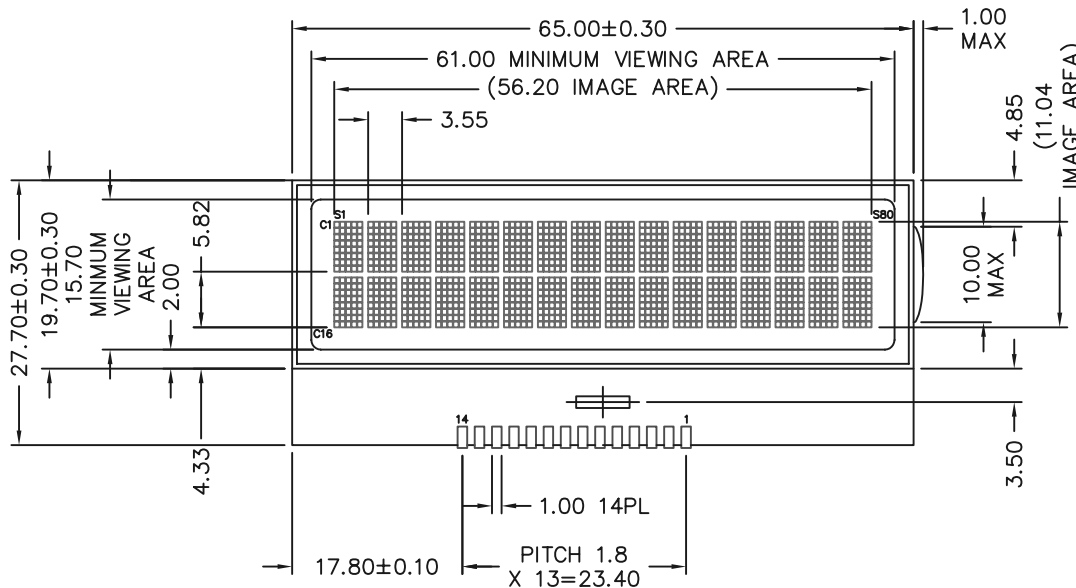
- NOTES: UNLESS OTHERWISE SPECIFIED
1. DIMENSIONS ARE MILLIMETERS (REFERENCE).
  2. TOLERANCES, UNLESS OTHERWISE SPECIFIED, ARE  $\pm 0.25$ .
  3. LCD TYPE: STN (GREEN-YELLOW), POSITIVE MODE.
  4. TOP POLARIZER: TRANSMISSIVE.
  5. BOTTOM POLARIZER: REFLECTIVE.
  6. DRIVE: 1/16 DUTY, 1/5 BIAS, 4.5V.
  7. VIEWING ANGLE: 6:00.
  8. STORAGE TEMPERATURE:  $-10^{\circ}\text{C}$  TO  $+60^{\circ}\text{C}$ .
  9. OPERATING TEMPERATURE:  $0^{\circ}\text{C}$  TO  $+50^{\circ}\text{C}$ .



BLOCK DIAGRAM

REV	DESCRIPTION:	BY	DATE
-	RELEASED	GK	04/29/05

**DRAFT**



SCALE 4/1

1	2	3	4	5	6	7	8	9	10	11	12	13	14
GND	V5	VDD	RS	RW	E	DB0	DB1	DB2	DB3	DB4	DB5	DB6	DB7

UNLESS OTHERWISE NOTED:		ENGR MANAGER:	DATE:
UNITS	DECIMAL	DWN BY: JDN	DATE: 08/02/01
INCHES	.X ±0.02 [0.5] .XX ±0.010 [0.25] .XXX ±0.005 [0.13]	DRAWING TITLE: CC1622 MODULE	
ANGLES	PLATED THRU HOLES +0.003 [0.08] NON-PLATED THRU HOLES -0.001 [0.03]	DRAWING No.: CC1622	
THIRD ANGLE PROJECTION	±0.5°	SCALE 1 : 2	REV: - SHEET: 1 OF 1