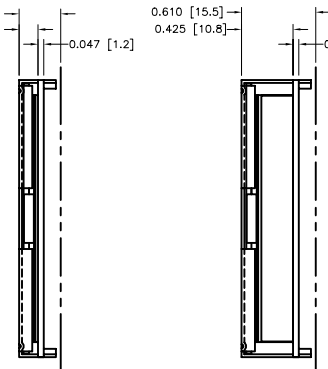
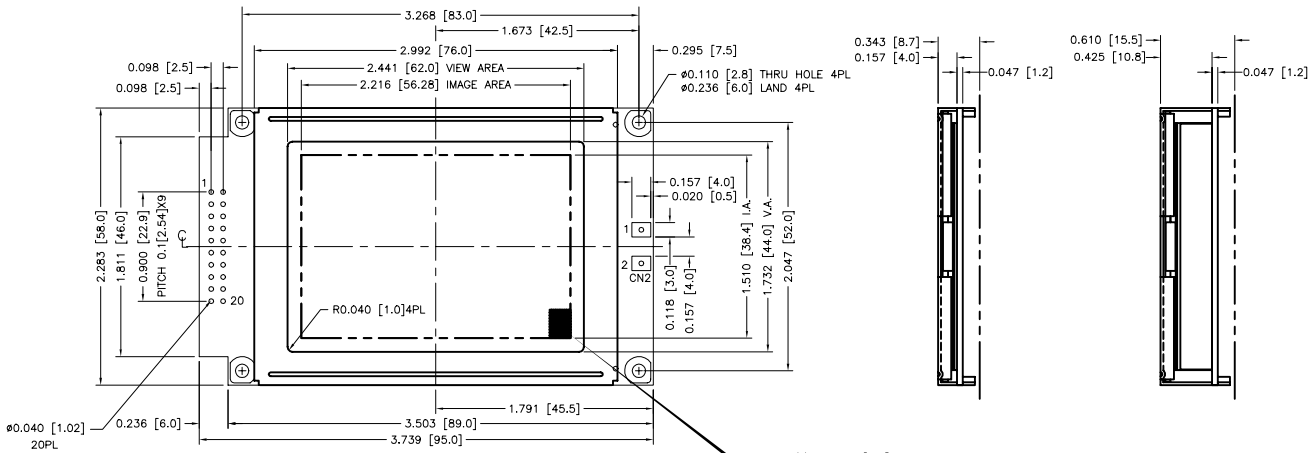
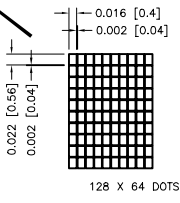


REV	DESCRIPTION:	BY	DATE
-	RELEASED		9/4/98
A	ECO#2608	S.L	9/24/98
B	ECO#2610	S.L	9/28/98
C	ECO#2639	S.L	11/18/98

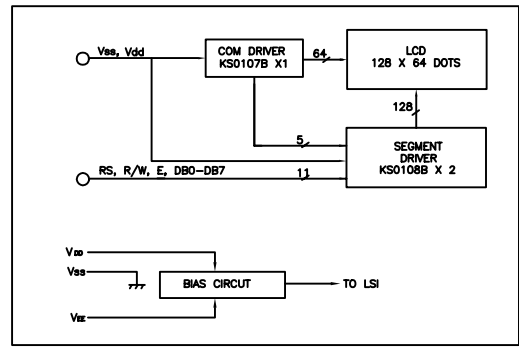


CONNECTOR PINOUT CN2			
B/LITE	PIN#	SYMBOL	FUNCTIONS
EL	1	EL	POWER SUPPLY FOR EL
	2	EL	POWER SUPPLY FOR EL
LED	1	ANODE	ANODE TERMINAL - LED+
	2	CATHODE	CATHODE TERMINAL - LED-
CCFL	1	CCFL	POWER SUPPLY FOR CCFL
	2	CCFL	POWER SUPPLY FOR CCFL



OPTION A : (DEFAULT CONFIGURATION)

CONNECTOR PINOUT CN1			
PIN#	SYMBOL	LEVEL	FUNCTIONS
1	Vss		POWER SUPPLY (0V, GND)
2	Vdd		POWER SUPPLY FOR LOGIC
3			NON-CONNECTION
4	RS	H/L	H: DISPALY RAM DATA L: INSTRUCTION DATA
5	R/W	H/L	H: READ L: WRITE
6	E	H/L	ENABLE SIGNAL
7	DB0		DATA BUS LINES
8	DB1		
9	DB2		
10	DB3		
11	DB4		
12	DB5		
13	DB6		
14	DB7		
15	SEL		SEL=0 SELECTS IC2 LEFT HALF OF DISPLAY (SEG1 THRU SEG64) SEL=1 SELECTS IC3 RIGHT HALF OF DISPLAY (SEG65 THRU SEG128)
16	/RES		RESET SIGNAL
17	Vod1		VOLTAGE LEVEL FOR LCD CONTRAST ADJUSTMENT
18	Vcd		POWER SUPPLY FOR LCD DRIVE
19	LED-		LED BACKLIGHT -
20	LED+		LED BACKLIGHT +



OPTION B :

CONNECTOR PINOUT CN1			
PIN#	SYMBOL	LEVEL	FUNCTIONS
1	Vss		POWER SUPPLY (0V, GND)
2	Vdd		POWER SUPPLY FOR LOGIC
3	/CS1		LOW SELECTS IC3 RIGHT HALF OF DISPLAY (SEG65 THRU SEG128)
4	RS	H/L	H: DISPALY RAM DATA L: INSTRUCTION DATA
5	R/W	H/L	H: READ L: WRITE
6	E	H/L	ENABLE SIGNAL
7	DB0		DATA BUS LINES
8	DB1		
9	DB2		
10	DB3		
11	DB4		
12	DB5		
13	DB6		
14	DB7		
15	/CS0		LOW SELECTS IC2 LEFT HALF OF DISPLAY (SEG1 THRU SEG64)
16	/RES		RESET SIGNAL
17	Vod1		VOLTAGE LEVEL FOR LCD CONTRAST ADJUSTMENT
18	Vcd		POWER SUPPLY FOR LCD DRIVE
19	LED-		LED BACKLIGHT -
20	LED+		LED BACKLIGHT +

- NOTES:
 1. ALL DIMENSIONS IN INCH [MM]
 2. TOLERANCES UNLESS OTHERWISE SPECIFIED ±0.010" [±0.25MM]
 3. REFER TO MODULE PRODUCT SPECIFICATION FOR SPECIFIC CONFIGURATIONS AND BILL OF MATERIALS

OCULAR

ENGR MANAGER: DATE:
 DWN BY: S.L DATE: 8/3/98
 DRAWING TITLE: 12642 MODULE
 DRAWING No.: 12642MOD REV: C
 SCALE: SHEET: OF

THIS DOCUMENT IS CONFIDENTIAL PROPRIETARY INFORMATION OF OCULAR CORPORATION AND SHALL NOT BE DISCLOSED OR COPIED OR USED FOR ANY PURPOSE OTHER THAN FOR WHICH IT IS SPECIFICALLY FURNISHED WITHOUT THE PRIOR WRITTEN CONSENT OF OCULAR CORPORATION.